

PT20I

Noblelift Power Electric Pallet Truck With Mast Lift for Order Picking

The PT20I is the ideal choice if transportation operations needs to be combined with health friendly order picking operations.

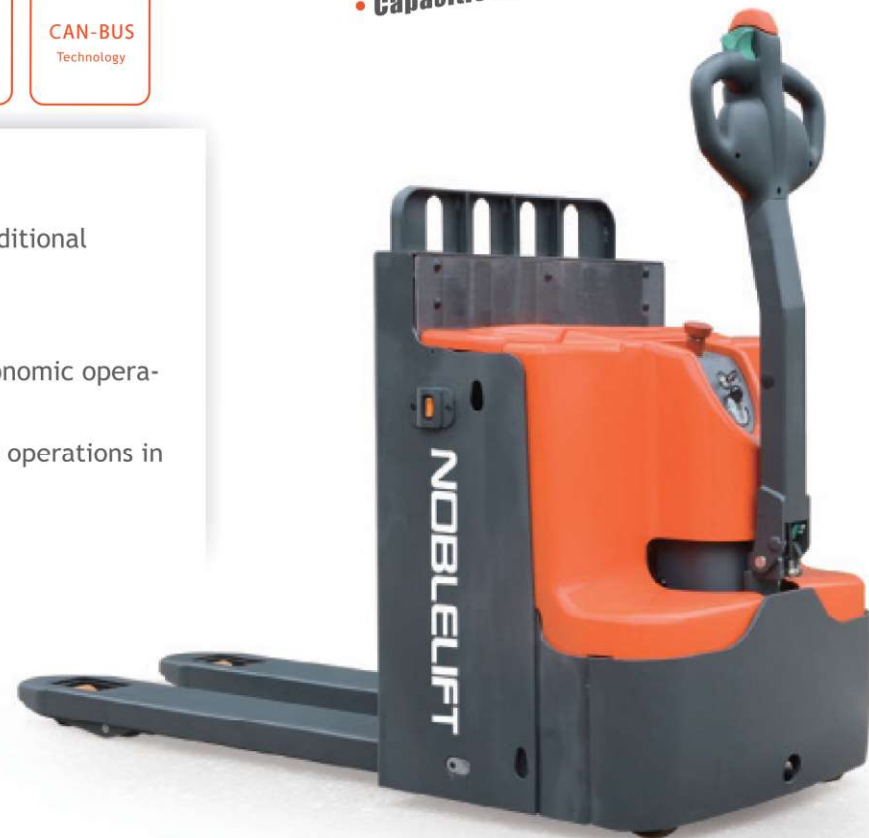
The low-lift transportation capacity of max. 2000kg is enough to unload delivery lorries and to do picking operations in the warehouse or in the salesroom.

The sideways lifting buttons are ergonomically located nearby the picking area.



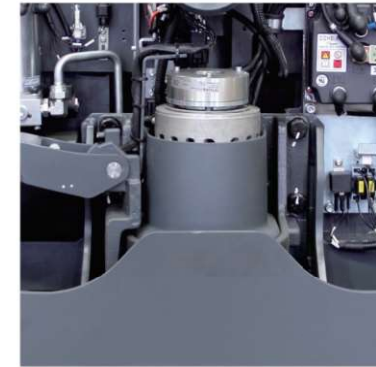
ADVANTAGE:

- Power pallet truck with additional health-friendly mast lift.
- AC drive system
- Long tiller for easy and ergonomic operations
- Slow-speed button for safe operations in narrow spaces



DOUBLE LIFTING DESIGN CORE COMPONENTS FORM TOP QUALITY BRANDS

- Initial lifting
- Easy for operation
- Side-way battery replacement
- Capacities for different applications



Core Components from top quality brands

German KORDEL gear box, INTORQ brake, WICK drive wheel, Italian ZAPI controller ensure the high performance, efficiency and stability, at the same time reduce the running cost.



Robust and Reliable Design

The robust chassis with the strong 8mm thick apron protects the truck and the components against mechanical impacts from the outside. The steel battery cover ensures the battery well protected.



Static design of the hydraulic system

There is no movement of the hydraulic system during lifting and lowering of the truck, ensures the stability and safety of the hydraulic system.



Long tiller design

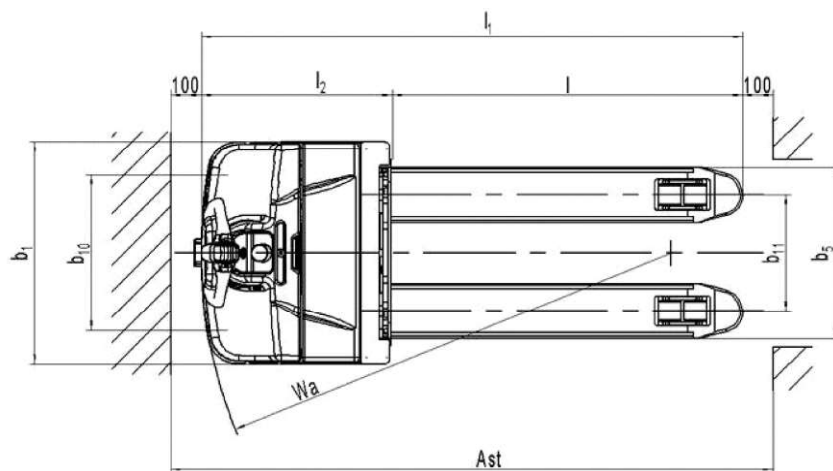
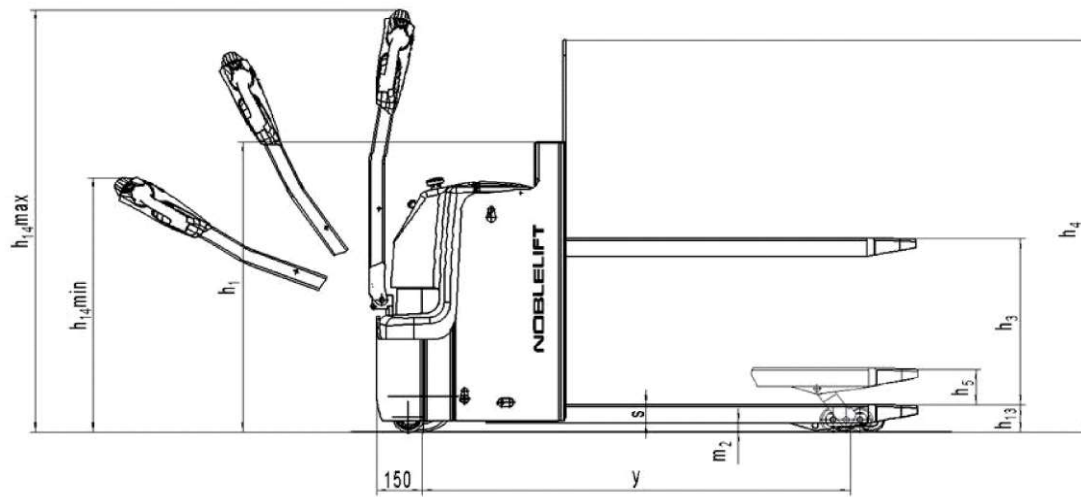
Ergonomically designed long tiller allows comfortable and efficient operator by keeping a safe distance.

CAN-BUS



Initial lifting(double lifting design)

Additional healthy-friendly mast lift height up to 800mm with lift capacity 1000kg, ideal for trailer unloading, short distance material transportation and factory assembly line.



Type sheet for industrial truck acc. to VDI 2198

Distinguishing mark	1.2	Manufacturer's type designation		PT201	
	1.3	Drive		Battery	
	1.4	Operator type		Pedestrian	
		Load Capacity / rated load		2.0	
	1.5	Load Capacity / at mast lift	Q (t)	1.0 ¹⁾	
		Load Capacity / at support arm lift		2.0 ¹⁾	
	1.6	Load centre distance	c (mm)	600	
	1.8	Load distance ,centre of drive axle to fork	x (mm)	916	
	1.9	Wheelbase	y (mm)	1386	1532
Weight	2.1	Service weight	kg	656	855
	2.2	Axle loading, laden front/rear	kg	765/1891	845/2010
	2.3	Axle loading, unladen front/rear	kg	476/180	612/243
Tires, chassis	3.1	Tires		Polyurethane (PU)	
	3.2	Tire size, front	Øx w (mm)	Ø230x70	
	3.3	Tire size, rear	Øx w (mm)	Ø80x70	
	3.4	Additional wheels(dimensions)	Øx w (mm)	Ø100x40	
	3.5	Wheels,number front/rear(x=driven wheels)		1x+2/4	
	3.6	Tread, front	b ₁₀ (mm)	510	
	3.7	Tread, rear	b ₁₁ (mm)	380	
Dimensions	4.2	Lowered mast height	h ₁ (mm)	950	855
	4.4	Lift	h ₂ (mm)		550
	4.5	Extended maximal height	h ₄ (mm)	1717	1558
	4.6	Initial lift	h ₃ (mm)		120
	4.9	Height of tiller in drive position min./ max.	h ₁₄ (mm)		800/1335
	4.15	Height, lowered	h ₁₃ (mm)		88
	4.19	Overall length	l ₁ (mm)	1770	1940
	4.20	Length to face of forks	l ₂ (mm)	620	790
	4.21	Overall width	b ₁ (mm)		729
	4.22	Fork dimensions	s/e/l (mm)		60/180/1150
	4.25	Width across forks	b ₅ (mm)		560
	4.32	Ground clearance, centre of wheelbase	m ₂ (mm)		28
	4.34	Aisle width for pallets1000X1200 crossways	Ast (mm)	1970	2140
	4.34	Aisle width for pallets800X1200 lengthways	Ast (mm)	2020	2190
	4.35	Turning radius	Wa (mm)	1536	1682
Performance data	5.1	Travel speed, laden/ unladen	km/h	6.0/6.0	
	5.2	Lift speed, laden/ unladen	m/s	70/135	85/125
	5.3	Lowering speed, laden/ unladen	m/s	106/85	114/75
	5.8	Max. gradeability, laden/ unladen	%	8/20	
	5.10	Service brake		Electromagnetic	
Electric- engine	6.1	Drive motor rating S2 60min	kW	1.3	
	6.2	Lift motor rating at S3 10%	kW	1.2	2.2
	6.3	Battery acc. to DIN 43531/ 35/ 36 A, B, C, no		2VBS	3VBS
	6.4	Battery voltage, nominal capacity K5	V / Ah	24/160	24/210
	6.5	Battery weight	kg	150	185
	6.6	Energy consumption acc. to VDI cycle	kWh/h	0.40	
Additional data	8.1	Type of drive control		AC speed Control	
	8.4	Sound level at driver's ear acc. to EN 12053	dB(A)	< 70	

1)in double-deck operation:mast lift 1.0t,support arm lift 1.0t